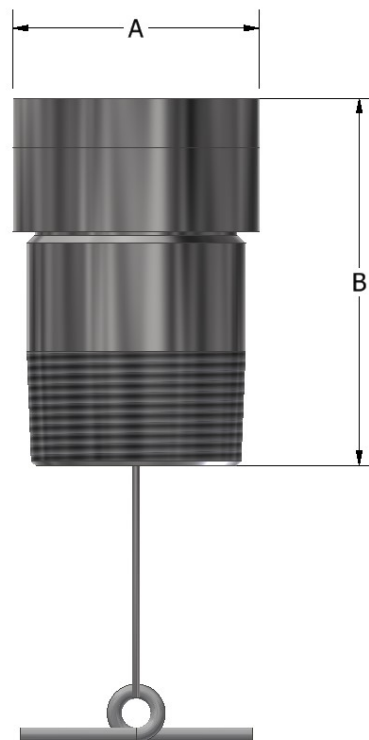


## OPERATION

The Ruelco Vent/ Fill Cap is a pressure relieving cap designed to vent pressure due to entrapped gases in a hydraulic reservoir through a spring loaded cover. Under normal conditions, the cover prevents rain, dust or other contaminants from entering into the hydraulic reservoir. When hydraulic fluid is returned to the reservoir, the cap will spring open, allowing the fluid to safely enter without the risk of tank pressurization.

## FEATURES

- 316 stainless steel construction (models to N.A.C.E. MR0175 available)
- Small compact design
- Stainless steel cord prevents the cap from being lost when being used to fill the tank



VENT/FILL CAP

## DIMENSIONS

NPT SIZE	A	B	OPENING DIAMETER
3/4"	1.50" (38.1 mm)	2.125" (53.98 mm)	.820" (20.83 mm)
1"	1.50" (38.1 mm)	1.850" (46.99 mm)	1.00" (25.4 mm)
1-1/2"	2.125" (53.98 mm)	3.150" (80 mm)	1.50" (38.1 mm)

PHONE: 504-340-0055  
FAX: 504-340-0056  
EMAIL: SALES@RUELCO.COM

1209 DISTRIBUTORS ROW  
NEW ORLEANS, LA 70123



Proudly Distributed By

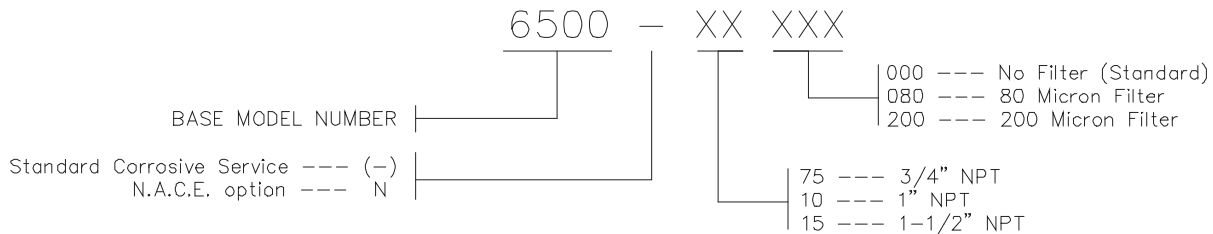
**TRIDENT** AUSTRALIA  
FLUID SYSTEMS & COMPONENTS

## PARTS LIST

ITEM	QUANTITY	DESCRIPTION	MATERIAL
1	1	COVER	316 ST. STL.
2	1	CAP	316 ST. STL.
3	1	SPRING	INCONEL
4	1	BOLT	316 ST. STL.
5	1	BODY	316 ST. STL.
6	1	TWISTED WIRE (STANDARD MODEL)	316 ST. STL.
7	1	MICRON FILTER (FILTER MODEL ONLY)	316 ST. STL.
8	1	O-RING (FILTER MODEL ONLY)	NITRILE
9	1	SNAP RING (FILTER MODEL ONLY)	316 ST. STL.

VENT/FILL CAP

## ORDERING CODE



PHONE: 504-340-0055  
FAX: 504-340-0056  
EMAIL: SALES@RUELCO.COM

1209 DISTRIBUTORS ROW  
NEW ORLEANS, LA 70123